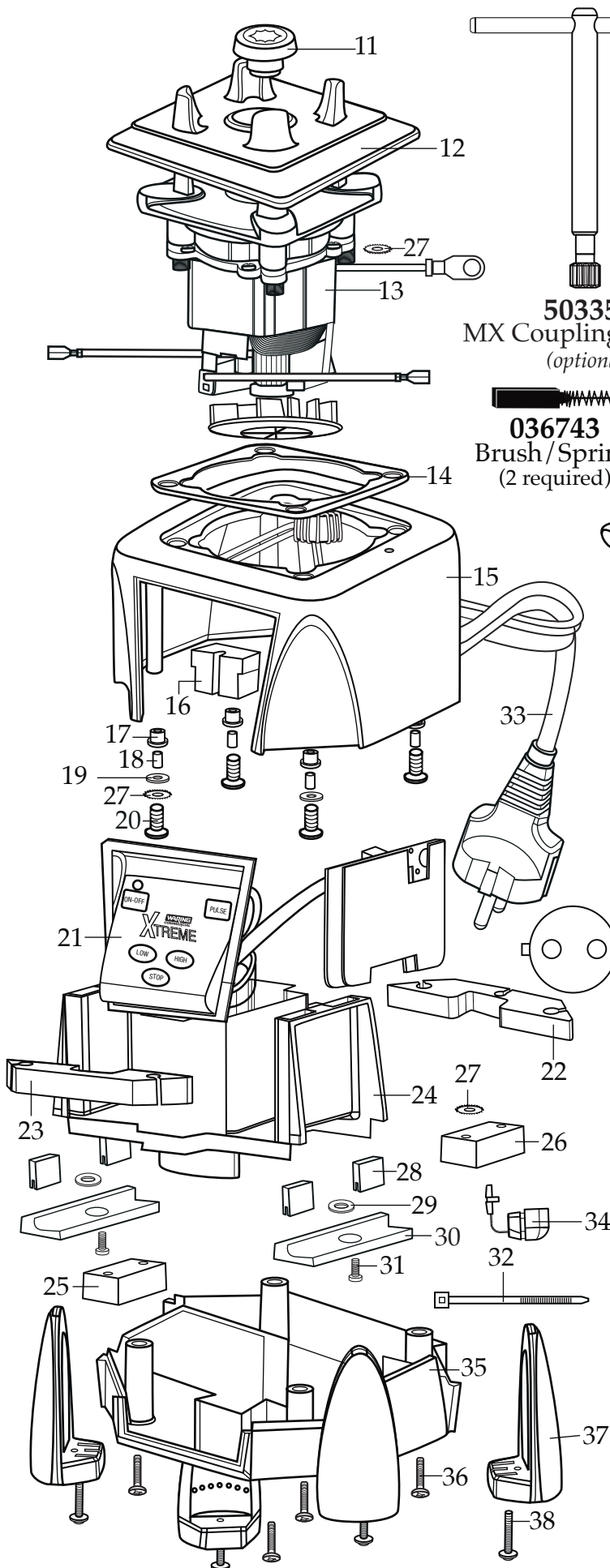


# WARING COMMERCIAL

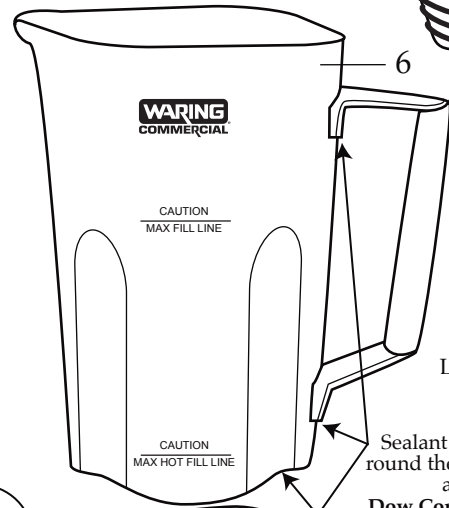
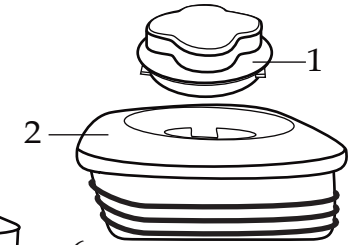
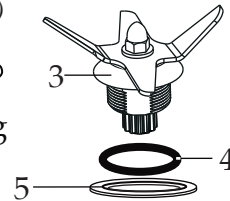
Europe Xtreme Blenders with Electronic Keypad and 64 oz. Stainless Steel Container

## MX1050XTEES MX1050XTSEES Sound Enclosure



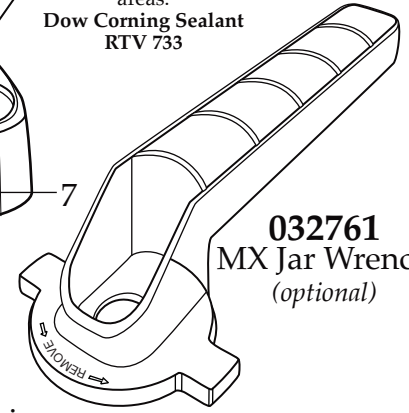
**503351**  
MX Coupling Wrench  
(optional)

**036743**  
Brush/Spring  
(2 required)



**Notes:**  
Torque 100-125 in/lbs  
Lubricant applied to O Ring  
Dow Corning 200 (R) Fluid

Sealant applied all round these indicated areas.  
**Dow Corning Sealant RTV 733**



**503346**  
Stainless Steel Container  
with Blending Assembly

BLENDER MX1050XTEES  
MODEL MX1050XT31CE  
230 VAC 50Hz  
1500 WATTS  
WARING COMMERCIAL  
Torrington, Connecticut 06790  
ASSEMBLED IN USA  
www.waringproducts.com

BLENDER MX1050XTSEES  
MODEL MX1050XT32CE  
230 VAC 50Hz  
1500 WATTS  
WARING COMMERCIAL  
Torrington, Connecticut 06790  
ASSEMBLED IN USA  
www.waringproducts.com

Date Code Location  
YY|MM|DD  
year year | month month | day day

<b>Illustration #</b>	<b>Part #</b>	<b>Description</b>
1	028769-E	Jar Lid Cover
2	028768	Jar Lid
3	503566	Blade Assembly
4	024271	O Ring
5	026798	Support Washer
6	026648	64 oz. Stainless Steel Container
7	026649	Container Support
8	026797	Bearing Holder Gasket
9	026796	Bearing Holder Washer
10	026795	Hex Nut
11	503601	Drive Coupling with Adapter <i>(on units after 3/29/2022)</i>
	503604	Drive Coupling with Adapter 2 Gen.
12	026442	Jar Pad
13	035398	Leili Motor without Sensor
14	038278	Dampening Plate Gasket <i>(on units after 8/25/2022)</i>
	026437	Dampening Plate Gasket
15	503382-E-67	MX Housings, Ferrite Core & Cord
16	028541	Motor Foam (2 required)
17	026439	Dampening Plate Bushing (4 required)
18	038486	Dampening Plate Sleeve (4 required <i>on units after 8/25/2022</i> )
	026453	Dampening Plate Sleeve (4 required)
19	026459	Washer (2 required)
20	028929	Sems (4 required)
21	036397	Control Panel with Interlock comes with key board-main board-filter board
22	028248	Top Housing Foam Rear Baffle
23	028249	Top Housing Foam Front Baffle
24	<i>Motor Housing is included with Illustration # 15</i>	
25	028247	Bottom Housing Foam Baffle
26	028542	Foam Baffle
27	002943	Washer (3 required)
28	034900	PCB Cushions (4 required)
29	037232	Neoprene Washer (2 required)
30	037007	PCB Mounting Bracket (2 required)
31	013768	Screw (2 required)

**Illustration#      Part#      Description**

32	013731	Cable Tie (2 required)
33	<i>Cord is included with Illustration # 15</i>	
34	007556	Strain Relief
35	<i>Bottom Housing is included with Illustration # 15</i>	
36	012505	Screw (4 required)
37	026430	Corner Post (4 required)
38	028928	Sems (4 required)

